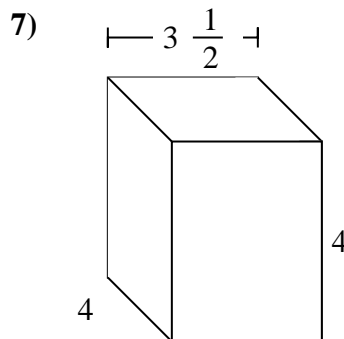
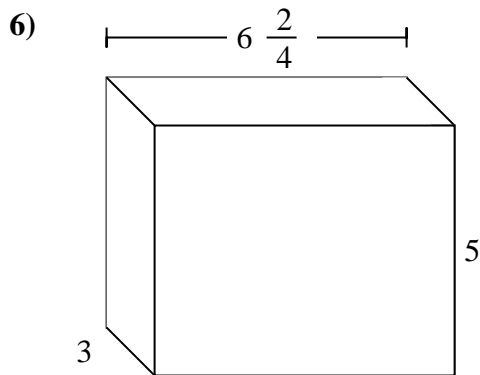
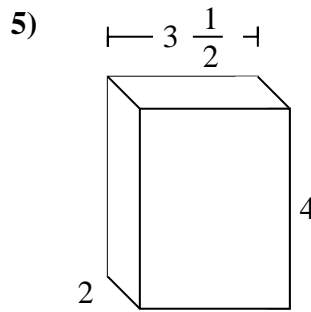
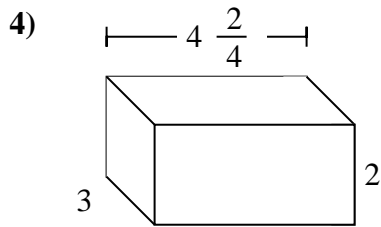
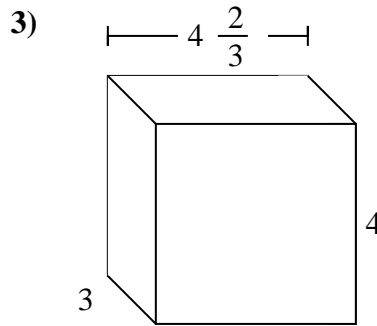
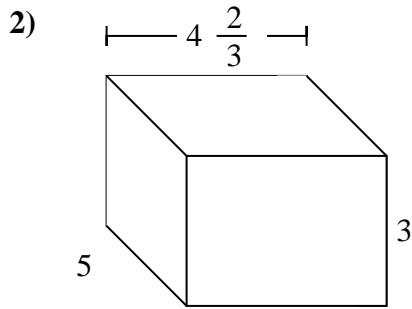
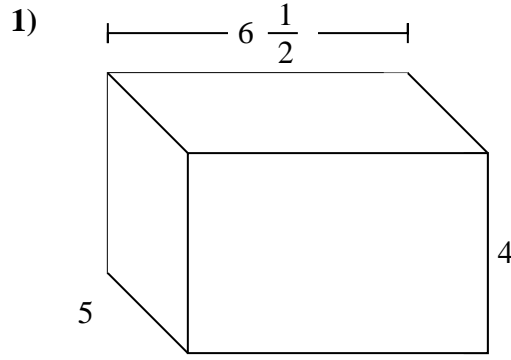
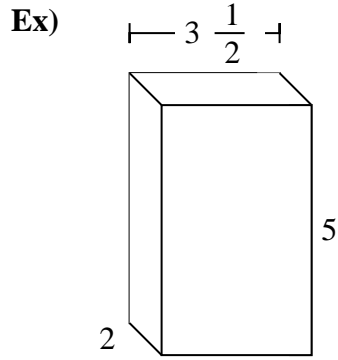




Fill each rectangular prism with cubes to determine the volume. Each prism's unit is measured in cm (not to scale).



Answers

Ex. 35 cm

1. _____

2. _____

3. _____

4. _____

5. _____

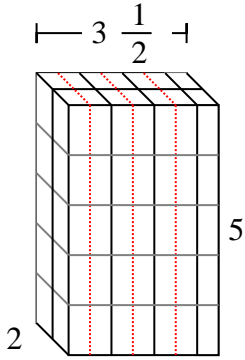
6. _____

7. _____

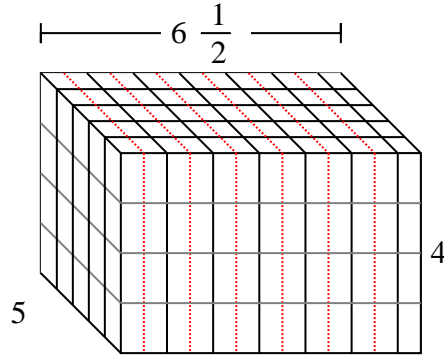


Fill each rectangular prism with cubes to determine the volume. Each prism's unit is measured in cm (not to scale).

Ex)



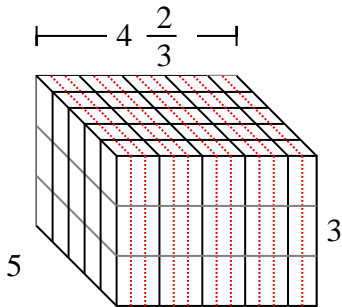
1)



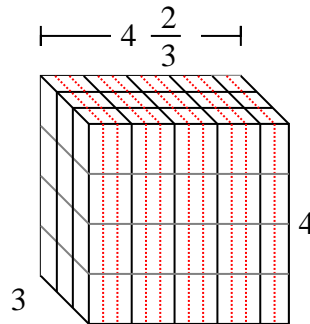
Ex.

35 cm

2)



3)



1.

130 cm

2.

70 cm

3.

56 cm

4.

27 cm

5.

28 cm

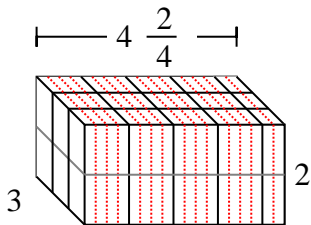
6.

 $97 \frac{2}{4}$ cm

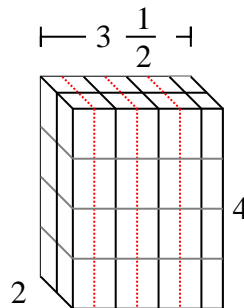
7.

56 cm

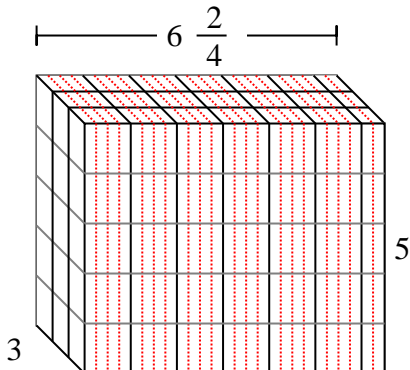
4)



5)



6)



7)

